

# Liebert® GXT3, 5000-10000VA RT Model

AC Power for  
Business-Critical Continuity™

Reliable On-Line Protection In A Compact Package



## Flexibility:

- Rack/tower configuration in one form factor
- Rotatable Display
- Automatic frequency detection
- User replaceable hot-swappable internal batteries
- Additional runtime with additional battery cabinets.
- Liebert IntelliSlot™ communications port
- Multiple output possibilities (hardwired and receptacles)
- Includes Windows-based configuration program
- Built-in USB communications for use with Liebert MultiLink™ Automated Shutdown Software
- Built-in closure signals
- Emergency Power Off (EPO)
- Paralleable up to 3 units

## Higher Availability:

- Wider input voltage window minimizes battery use
- Internal automatic and manual bypass
- Self-diagnostics

## Lowest Total Cost Of Ownership:

- Standard two-year replacement warranty
- Uses minimum rack space
- Shields batteries from heat generating electronic components
- Battery cutoff voltage to prevent from overdischarge of batteries

Liebert GXT3 UPS meets the need for higher power capacities in small spaces. This true on-line double conversion UPS system is available in 5kVA-10kVA models, and features integrated maintenance bypass, as well as optional extended battery runtime.

Designed for use in either rack or tower configurations, all units offer the smallest available solutions for these power capacities - the 5 & 6kVA model in 5U size, or the 10kVA in a 6U package

## Communications For Power Monitoring And Control

Liebert GXT3 UPS offers a variety of communications options to provide the monitoring and control capabilities demanded by today's network computing systems. Operation can be monitored using:

- Liebert IntelliSlot Web Card providing SNMP and web-based monitoring and control of your UPS.
- Liebert MultiLink™ Automated System Shutdown Software
- Liebert Nform™ Monitoring System
- Third-Party Monitoring Systems

## Ideally suited for Mission-Critical Applications such as:

- LAN & WAN Servers
- Network Equipment
- IP Telephony Deployments
- Office Telecommunications systems
- SDN & frame relay applications
- Test and Diagnostic Equipment
- Micro Processor-controlled Equipment
- Banks
- Up to 0.9 Power Factor

Up to 0.9 PF  
More Power  
Available!

Liebert GXT3 5kVA & 6kVA



Liebert GXT3 10kVA

  
**EMERSON**  
Network Power

# Liebert® GXT3, 5000-10000VA RT Model

## Specifications

| Model Number                                  | GXT3-5000RT230   | GXT3-6000RT230  | GXT3-10000RT230   |
|---|--|---|---|
| Power Rating                                  | 5000VA/4000W   | 6000VA/4800W  | 10000VA/9000W   |
| Dimensions, W x D x H - mm                    | 574 x 430 x 217 / 745 x 530 x 516  |   | 581 x 430 x 261 / 717 x 515 x 570   |
| Unit / Shipping                               | 60 / 71  |   | 70 / 92   |
| Weight - kg                                   | 60 / 71  |   | 70 / 92   |
| Unit / Shipping                               | 60 / 71  |   | 70 / 92   |
| Input AC Parameters                           | 220/230/240VAC (May be modified using included configuration program)                    |   |   |
| Voltage Range Without Battery Operation       | 220/230/240VAC (May be modified using included configuration program)                    |   |   |
| Frequency Range                               | 40 - 70Hz  |   |   |
| Input Socket                                  | Hardwired input on PD2-CE6HDWRDMBS standard power distribution box                       | Hardwired input on PD2-CE10HDWRDMBS standard power distribution box                       | Hardwired input on PD2-CE10HDWRDMBS standard power distribution box                       |
| Output Sockets                                | 6 x IEC C13 + 2 x IEC C19 + hardwired on PD2-CE6HDWRDMBS standard power distribution box | 4 x IEC C13 + 4 x IEC C19 + hardwired on PD2-CE10HDWRDMBS standard power distribution box | 4 x IEC C13 + 4 x IEC C19 + hardwired on PD2-CE10HDWRDMBS standard power distribution box |
| Operating Voltage Range w/o Battery Operation | 176-280VAC   |   |   |
| Waveform                                      | Sinewave   |   |   |
| Battery Parameters                            | Valve-regulated, non-spillable, lead acid  |   |   |
| Type  | Valve-regulated, non-spillable, lead acid  |   |   |
| Quantity x Voltage x Rating                   | 20 x 12V x 5AH   | 20 x 12V x 9AH  |   |
| Recharge Time                                 | 3 hr. to 90% capacity after full discharge into 100% load                                |   |   |
| Environmental                                 | 0°C to +40°C   |   |   |
| Operating                                     | 0°C to +40°C   |   |   |
| Storage Temperature                           | -15°C to +50°C   |   |   |
| Relative Humidity                             | 0%RH to 95%RH, non-condensing  |   |   |
| Operating Altitude                            | Up to 1000m at 30°C  |   |   |
| Audible Noise                                 | <55 dBA, at 1 meter from the rear <50 dBA, at 1 meter from the front or sides            |   |   |
| Agency  | IEC62040-1:2008 version  |   |   |
| Safety  | IEC62040-1:2008 version  |   |   |
| EMI/EMC/C-Tick EMC                            | IEC/EN/AS 62040-2 2nd Ed (Cat 2 - Table 6)   |   |   |
| ESD   | EN61000-4-2, Level 4, Criteria A   |   |   |
| Radiated Susceptibility                       | EN61000-4-3, Level 3, Criteria A   |   |   |
| Electrical Fast Transient                     | EN61000-4-4, Level 4, Criteria A   |   |   |
| Surge Immunity                                | EN61000-4-5, Level 3, Criteria A   |   |   |
| Transportation                                | ISTA Procedure 1A  |   |   |
| Compliance                                    | CE, RoHS   |   |   |

### Liebert® GXT3 Battery Cabinet Specifications

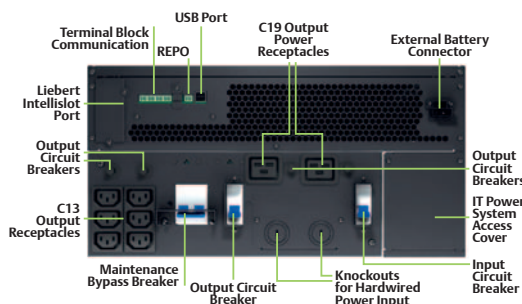
| Model Number                        | GXT3-240VBATTCE                           | GXT3-240RTVBATT |
|-------------------------------------|---|-----------------|
| Used w/UPS Model                    | GXT3-5000RT230<br>GXT3-6000RT230          | GXT3-10000RT230 |
| Dimensions, W x D x H - mm          | 574 X 430 X 130 / 745 X 530 X 407         |                 |
| Unit / Shipping                     | 581 X 430 X 173 / 745 X 530 X 475         |                 |
| Weight - kg                         | 43 / 54                                   |                 |
| Unit / Shipping                     | 65 / 76                                   |                 |
| Batteries                           | Valve-regulated, non-spillable, lead acid |                 |
| Type                                | Valve-regulated, non-spillable, lead acid |                 |
| Quantity x Voltage x Rating         | 1 x 20 x 12V                              |                 |
| Environmental                       | 0°C to 40°C / -15°C to +50°C              |                 |
| Operating / Storage Temperature, °C | 0°C to 40°C / -15°C to +50°C              |                 |
| Relative Humidity                   | 0% to 95%, non-condensing                 |                 |
| Maximum Operating Altitude          | Up to 1000m at 40°C                       |                 |
| Agency                              | IEC62040-1:2008 version                   |                 |
| Safety / Emissions                  | IEC62040-1:2008 version                   |                 |
| Transportation                      | ISTA Procedure 1A                         |                 |

### Battery Runtime Chart (Runtimes are in minutes, assuming fully charged batteries at 25°C)

| Number of batteries                            | Model           | 10%   | 20%   | 30%   | 40%   | 50%   | 60%   | 70%  | 80%  | 90%  | 100% | 100% load, W |
|--|-----------------|-------|-------|-------|-------|-------|-------|------|------|------|------|--------------|
| Internal Battery                               | GXT3-5000RT230  | 95    | 53.5  | 42.5  | 27.5  | 21.5  | 17    | 13   | 11.5 | 9.5  | 8    | 4000         |
|  | GXT3-6000RT230  | 82    | 46.5  | 33.5  | 22.5  | 17    | 13    | 11   | 9    | 7    | 6    | 4800         |
|  | GXT3-10000RT230 | 66    | 32    | 22    | 14.5  | 11    | 8     | 6    | 4.5  | 3.8  | 3    | 9000         |
| Internal Battery + 1 External Cabinet          | GXT3-5000RT230  | 183   | 108.5 | 85.5  | 62.5  | 50.5  | 42.5  | 35   | 27.5 | 24   | 21.5 | 4000         |
|  | GXT3-6000RT230  | 152   | 90.5  | 73    | 52.5  | 42.5  | 33.5  | 26.5 | 23   | 18   | 17   | 4800         |
|  | GXT3-10000RT230 | 131.5 | 76.5  | 53    | 40    | 27    | 22    | 17.5 | 14.5 | 12.8 | 11   | 9000         |
| Internal Battery + 2 External Battery Cabinets | GXT3-5000RT230  | 264.5 | 157   | 123.5 | 95    | 78    | 65.5  | 53   | 48.7 | 42.5 | 37.5 | 4000         |
|  | GXT3-6000RT230  | 220   | 131   | 104.5 | 81    | 65.5  | 52.5  | 46   | 39.5 | 34   | 27.5 | 4800         |
|  | GXT3-10000RT230 | 192   | 113   | 87.5  | 63.5  | 50    | 40    | 31   | 25.3 | 22   | 18.5 | 9000         |
| Internal Battery + 3 External Battery Cabinets | GXT3-5000RT230  | 352.5 | 210   | 152   | 123.5 | 99.5  | 85.5  | 75.5 | 65.5 | 54.5 | 50   | 4000         |
|  | GXT3-6000RT230  | 293.5 | 174.5 | 133   | 104.5 | 85.5  | 73    | 61   | 52.5 | 47   | 42.5 | 4800         |
|  | GXT3-10000RT230 | 256.5 | 148.5 | 114   | 87.5  | 70    | 53    | 47   | 40   | 33.5 | 27   | 9000         |
| Internal Battery + 4 External Battery Cabinets | GXT3-5000RT230  | 441   | 252   | 190   | 142.5 | 123.5 | 104.5 | 90   | 81   | 73   | 65.5 | 4000         |
|  | GXT3-6000RT230  | 367.5 | 210   | 161.5 | 128   | 104.5 | 87.5  | 78   | 68.5 | 59   | 52   | 4800         |
|  | GXT3-10000RT230 | 321   | 183   | 142.5 | 109   | 87.5  | 73    | 60   | 50.6 | 45.5 | 40   | 9000         |

- AC Power
- Connectivity
- DC Power
- Embedded Computing
- Embedded Power
- Infrastructure Management & Monitoring
- Outside Plant
- Power Switching & Controls
- Precision Cooling
- Racks & Integrated Cabinets
- Services
- Surge Protection

#### Liebert GXT3, 5000 & 6000VA



#### Liebert GXT3, 10000VA

